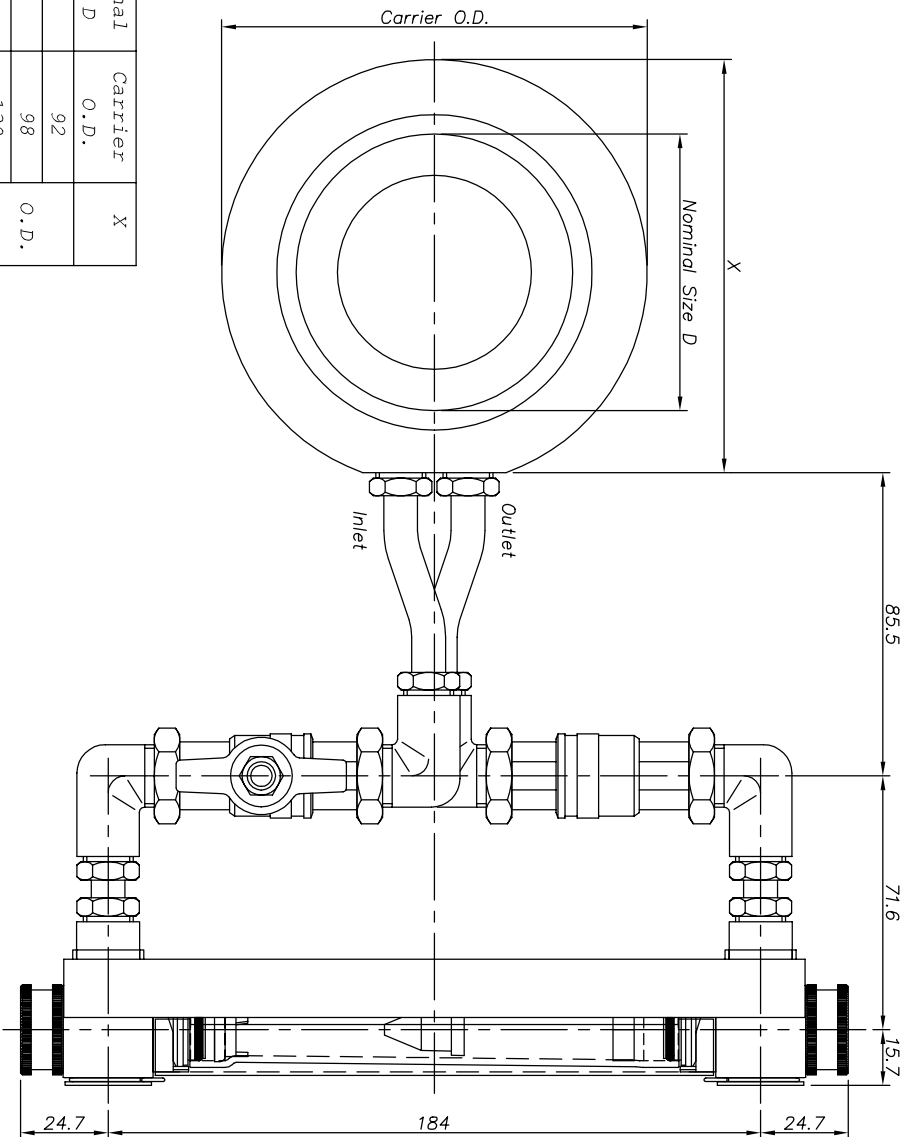


General Assembly: D1030 ISS 01

Deltaflux Orifice Flowmeter

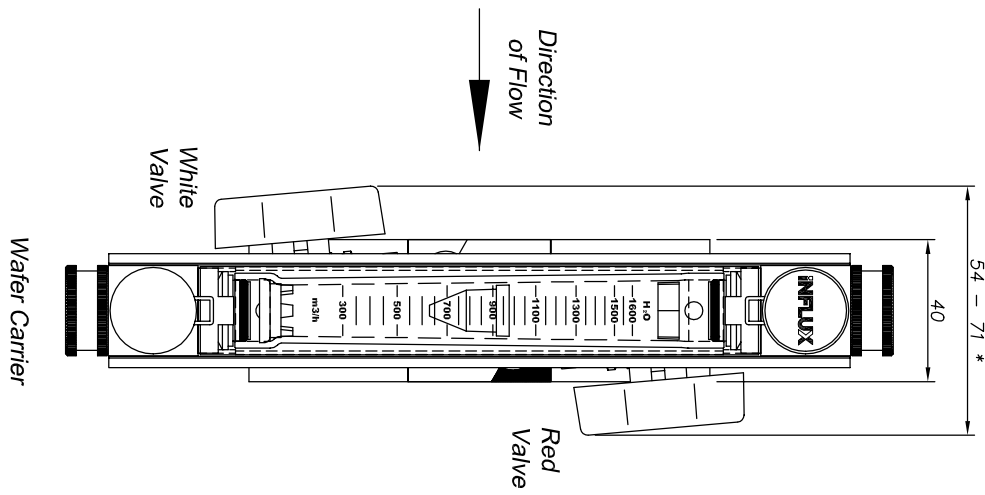
Note:
Dimensions for the Uniflux frame can be found on the D1021 drawing.



Nominal Size D	Carrier O.D.	X
38	92	O.D.
50	98	-
80	130	-
100	162	3.0
150	215	
200	273	

A TYPICAL STANDARD CONFIGURATION & SCALE HAS BEEN DETAILED. FOR VISUAL REPRESENTATION ONLY
ALL DIMENSIONS IN MILLIMETRES (mm) UNLESS OTHERWISE STATED

THIRD ANGLE DO NOT SCALE



* Dependent on pipework configuration

INFLUX

Influx Measurements Ltd
1A Bennett House, The Dean, Alresford,
Hampshire, SO24 9BQ, U.K.

Tel: +44 (0)1962 736736
Fax: +44 (0)1962 736737
Email: sales@influxmeasurements.com
Web: www.influxmeasurements.com