

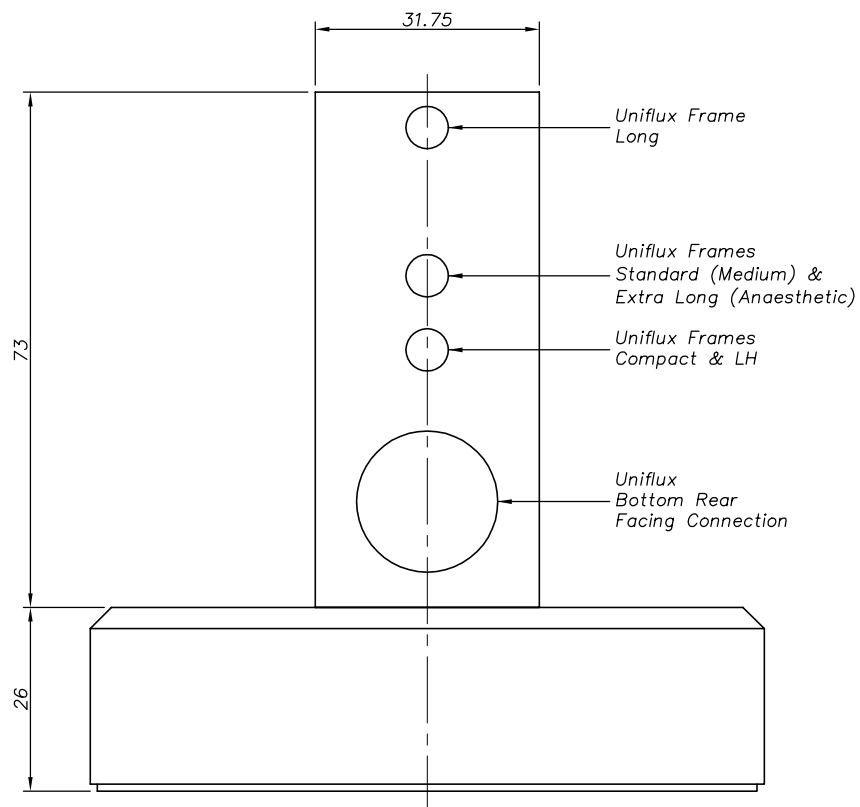
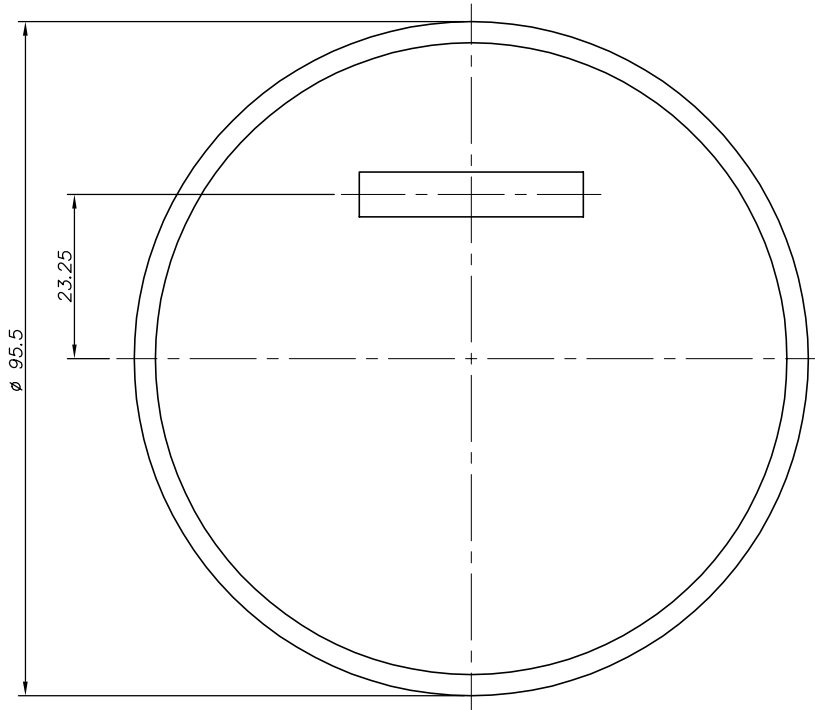
**General Assembly: D1031** Iss.01

Uniflux Benchstand, LabStand

**Influx Measurements Ltd**  
1A Bennett House, The Dean, Alresford,  
Hampshire, SO24 9BQ, U.K.



**Tel: +44 (0)1962 736736**  
**Fax: +44 (0)1962 736737**  
**Email: sales@influxmeasurements.com**  
**Web: www.influxmeasurements.com**



A TYPICAL STANDARD CONFIGURATION & SCALE HAS BEEN DETAILED, FOR VISUAL REPRESENTATION ONLY

ALL DIMENSIONS IN MILLIMETRES (mm) UNLESS OTHERWISE STATED

THIRD ANGLE DO NOT SCALE