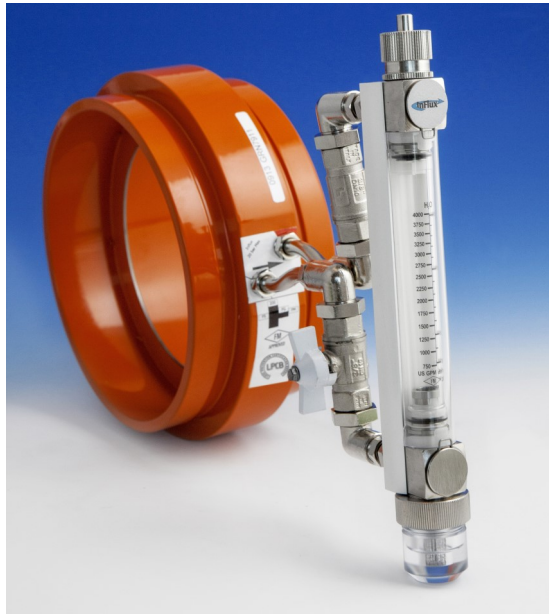


LPCB & FM APPROVALS FOR SPRINKLER FIRE PUMP TESTING



SINGLE combined dm³/min and US GPM tube.



- Suitable for LPC and FM installations.
- Stable easy to read flow indication.

ISOLATION VALVES at inlet & outlet to indicator.

- Provides a permanent, safe and secure installation.
- Allows isolation from main pipe eliminating shocks at pump start up.
- Air is automatically vented when valves are opened.

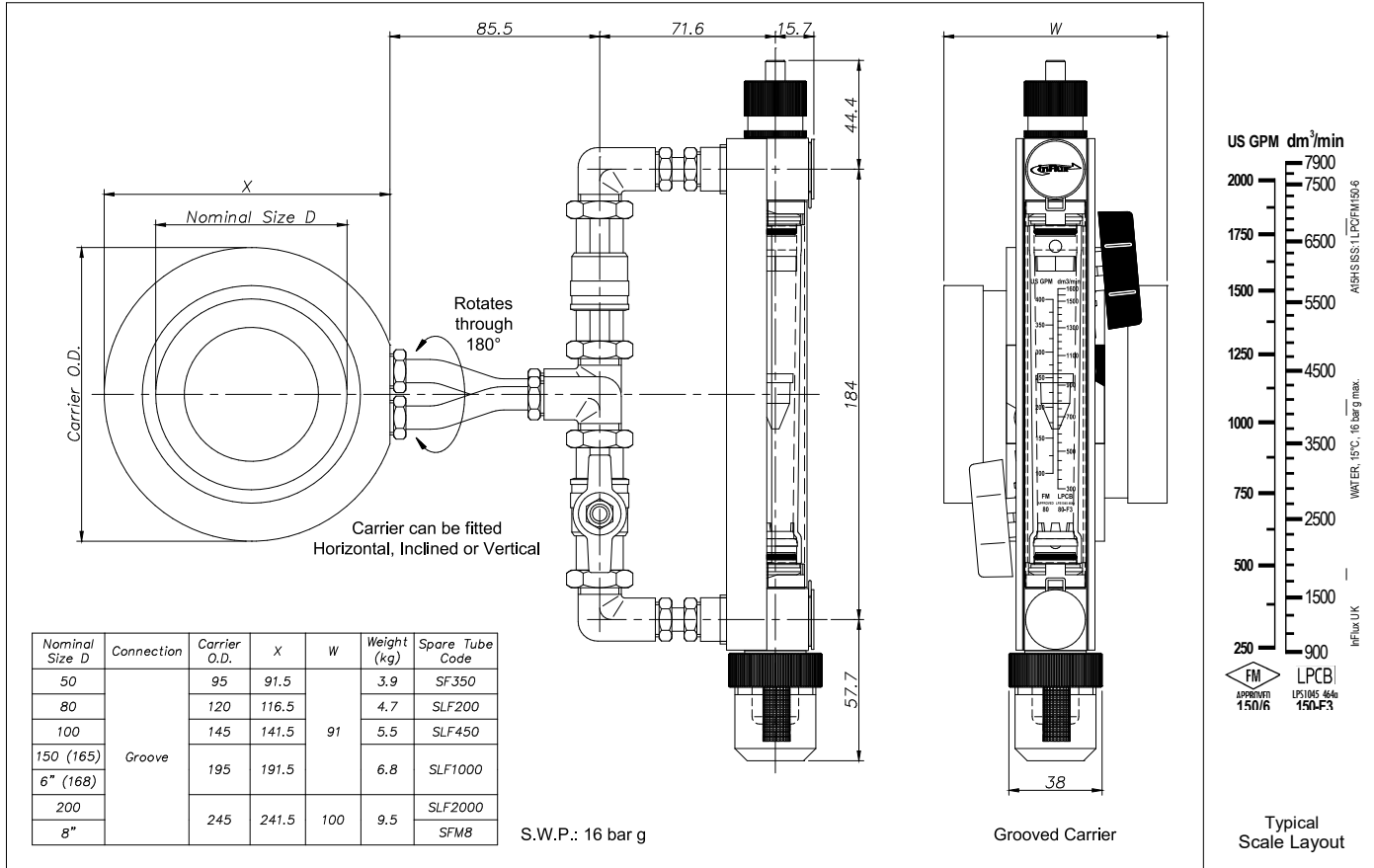
Horizontal, inclined & vertical GROOVED connection.

- Flexibility in design & site positioning.
- Compact and simple installation.

Pipe OD mm	Nominal		Meter Code	Flow Test Ranges		Pump duty US GPM	LPC Approval Ref.	FM Approval Ref. FS
	mm	/ inches		LPCB dm ³ /min	FM US GPM			
60.3	50	2	L G100*	150-700		100	464a/06	
88.9	80	3	DUO G200	300-1600	100-400	150; 200	464a/07	80FGFM
114.3	100	4	DUO G450	500-3500	150-900	250; 300; 450	464a/08	100FGFM
165.1	150	6	DUO G1000	900-7900	250-2000	500; 750; 1000	464a/09	150FGFM
168.3	150	6	DUO 6 G1000	900-7900	250-2000	500; 750; 1000	464a/22	6FGFM
219.1	200	8	DUO G2000	2000-15000	750-4000	1250; 1500; 2000	464a/10	200FGFM
219.1	200	8	F8 G3000*		1500-6000	2500; 3000		8FGFM

* LG100 only available with LPCB approval. F8 G3000 only available with FM approval.

Mounting Detail – Firesure Duo-Groove Flowmeter:



Typical Pipeline Configuration (Horizontal or Vertical):

